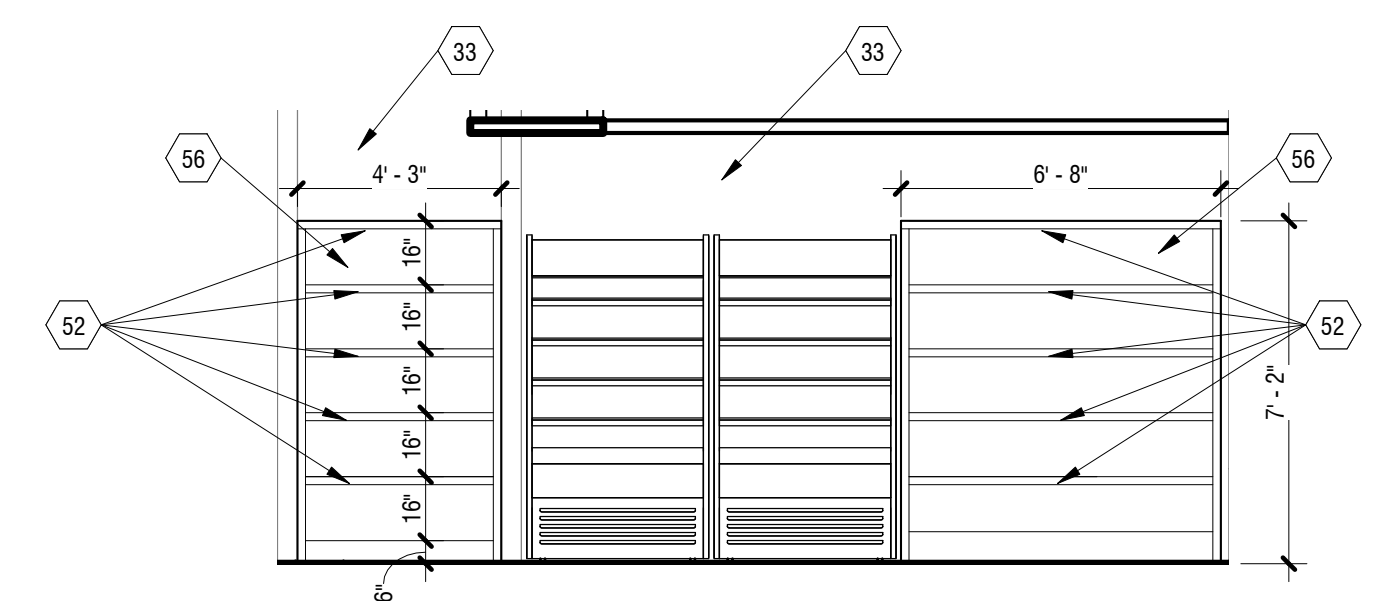
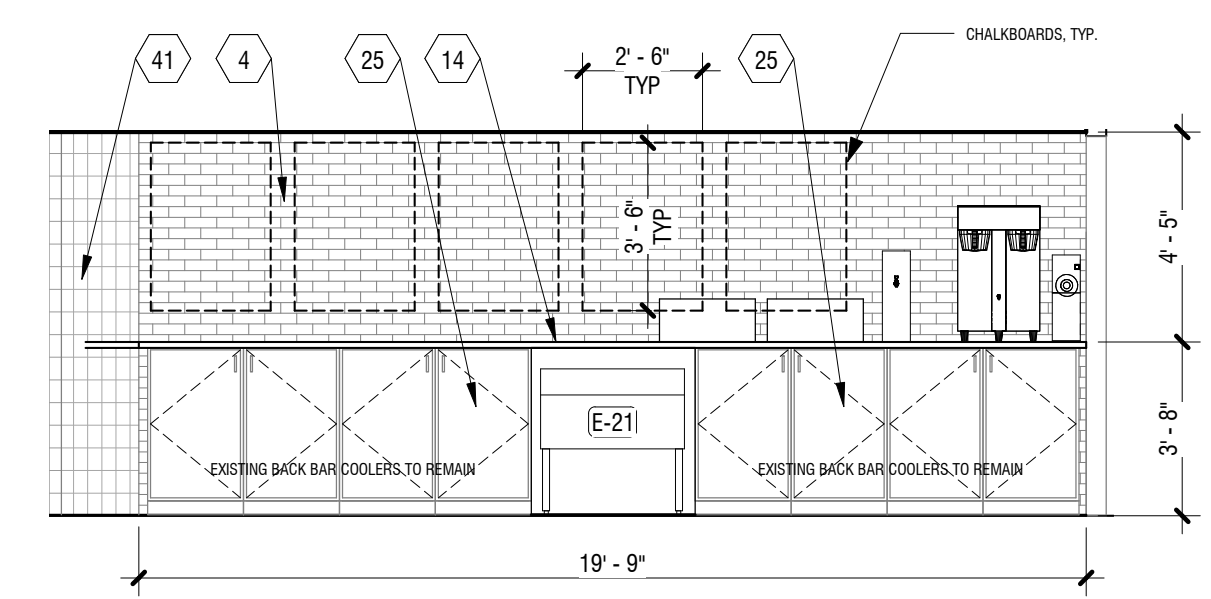


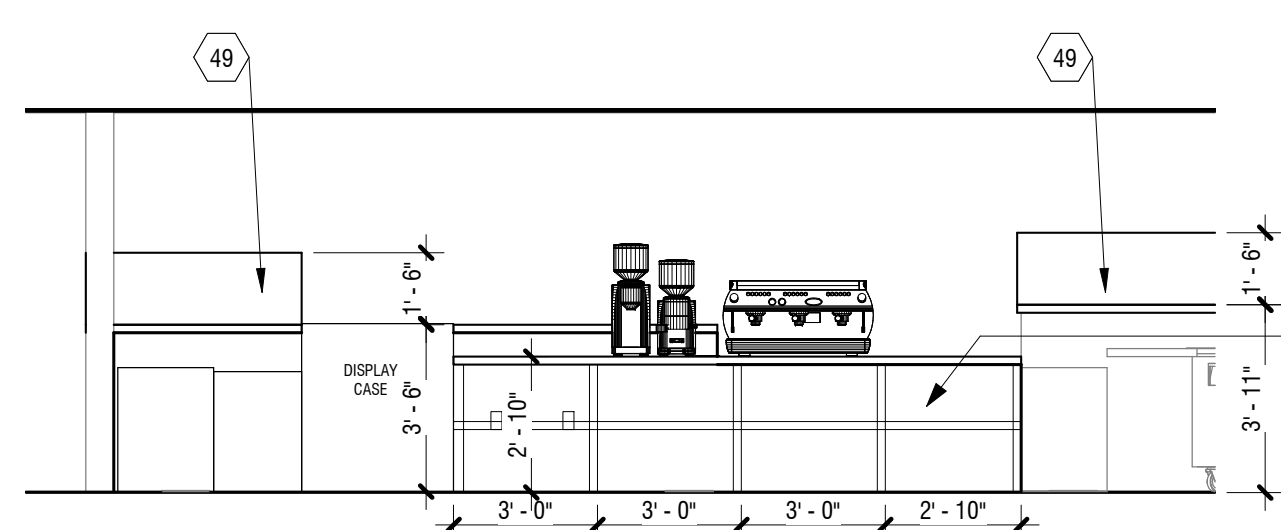
MARKET ELEVATION - SOUTH
1/4" = 1'-0" 7



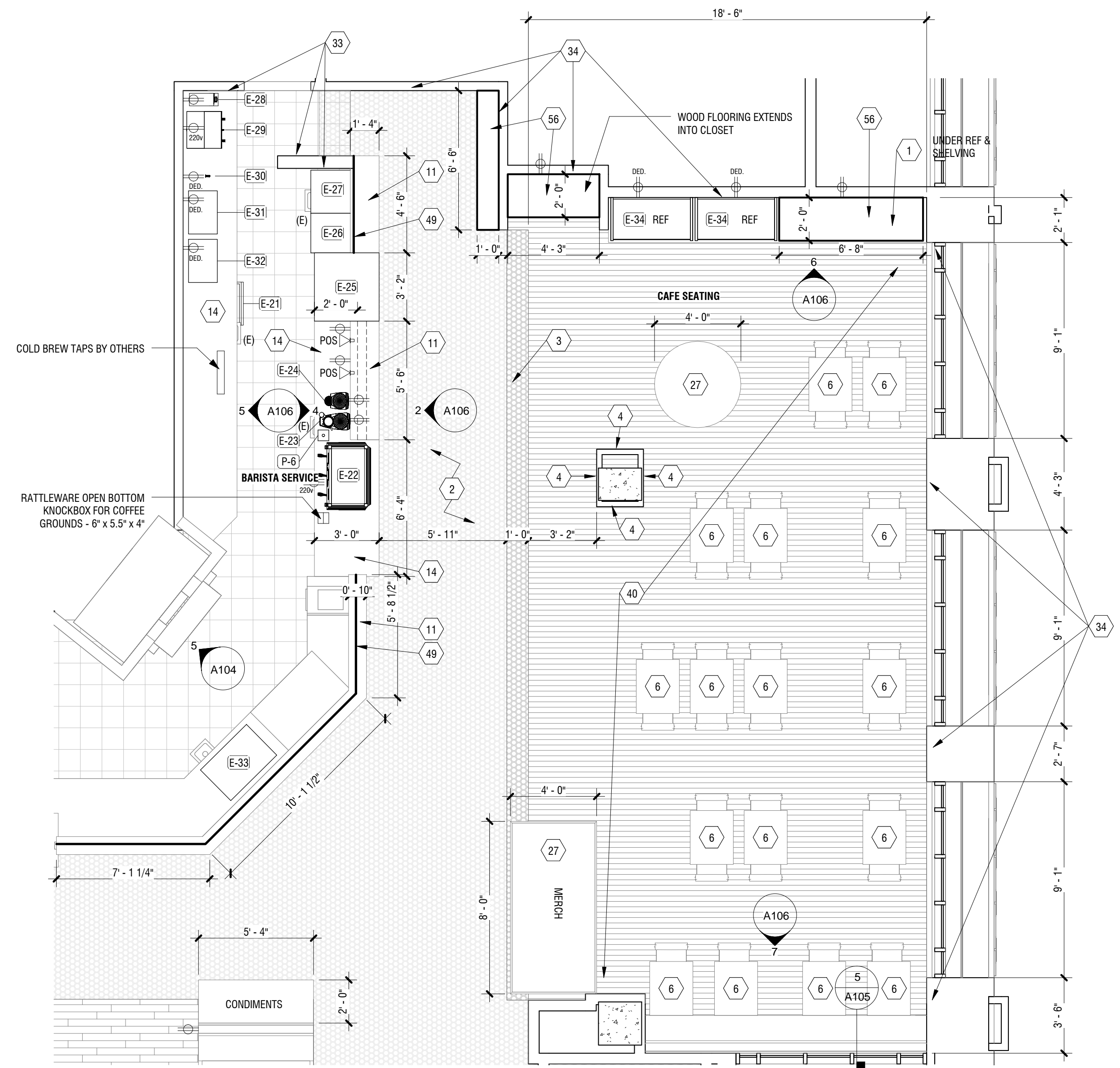
MARKET ELEVATION - NORTH
1/4" = 1'-0" 6



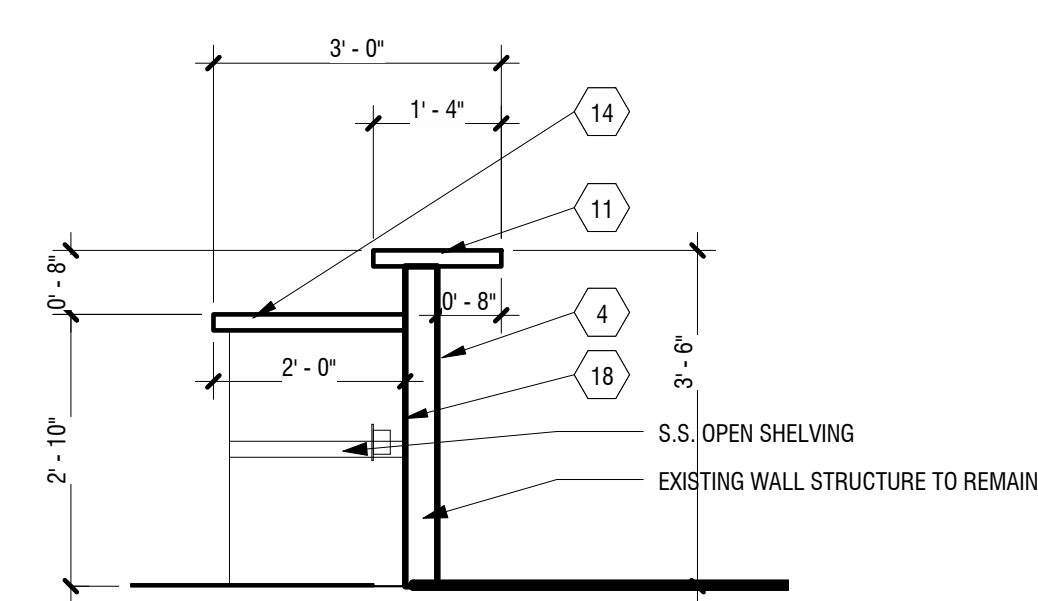
BARISTA BACK BAR ELEVATION
1/4" = 1'-0" 5



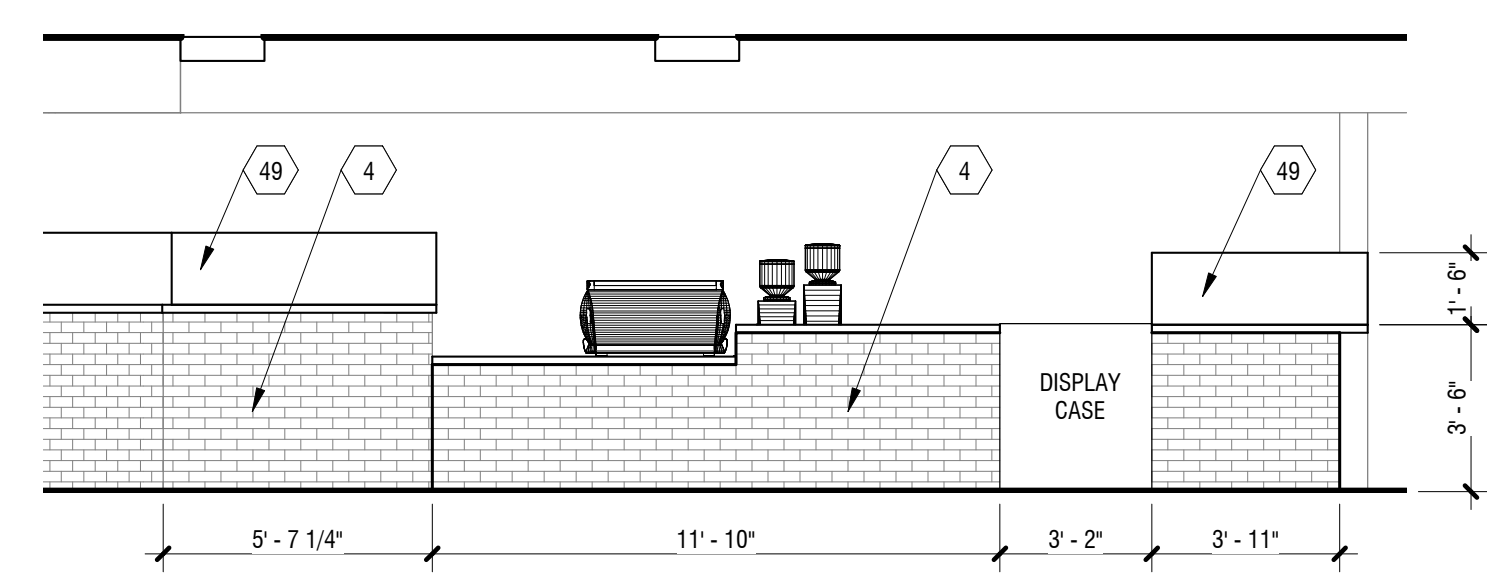
BARISTA SERVICE SIDE ELEVATION
1/4" = 1'-0" 4



ENLARGED PLAN BARISTA
1/4" = 1'-0" 1



BARISTA SECTION
1/2" = 1'-0" 3



BARISTA CUSTOMER SIDE ELEVATION
1/4" = 1'-0" 2

LEGEND - FLOOR PLAN

- EXISTING WALL TO REMAIN
- NEW WALL
- NEW PART HEIGHT WALL
- REFINISHED HARDWOOD FLOOR
- TILE-1
- TILE-2
- TILE-3
- EXISTING TILE FLOORING

- NEW 120V DUPLEX RECEPTACLE
(xx indicates distance above finish floor)
- NEW 120V DUPLEX RECEPTACLE W/ DEDICATED CIRCUIT
- NEW 120V DUPLEX RECEPTACLE W/ GROUND FAULT INTERRUPT PROTECTION
- NEW 120V QUADRUPLEX RECEPTACLE
- NEW DATA/VOICE, ASSUME SINGLE GANG BOX AT EACH LOCATION
- NEW 220V 30A 4 WIRE SINGLE PHASE CIRCUIT WITH NEMA L14-30R OUTLET
- NEW 220V 50A 3 WIRE SINGLE PHASE CIRCUIT WITH NEMA 6-50R OUTLET.

*** NOTE ALL EXISTING ELECTRICAL AND DATA LOCATIONS / OUTLETS TO REMAIN.

Project Location
Hilton Market
921 SW 6th Ave.
Portland, OR 97204



THESE DRAWINGS ARE FOR CONSTRUCTION BY
JEAN-PIERRE VEILLET
SITEWORKS, INC. ONLY

Date: 2014.12.08

Lead Designer: JEAN-PIERRE VEILLET

Architect: JESSAMYN GRIFFIN

Drawn By: DSM / JPM

Phase: CONSTRUCTION

Revisions:

#	Description	Date

Sheet Name
ENLARGED PLAN - BARISTA

Sheet No.

A106